



Antec, Inc. is the global leader in high-performance computer components and accessories for the gaming, PC upgrade and Do-It-Yourself markets.

Founded in 1986, Antec is recognized as a pioneer in the industry and has maintained its position as a worldwide market leader and international provider of quiet, efficient and innovative products.

Antec has also achieved great success in the distribution channel, meeting the demands of quality-conscious system builders, VARs and integrators.

CONTENTS AND ACCESSORIES

Inhalt Und Zubehör | Contenu Et Accessoires | Contenuto E Accessori | Contenido Y Accesorios | 商品与配件 | 内容物與配件 | 내용물 및 부속품 | 内容と付属品

02

PRODUCT INTRODUCTION

Produktübersicht | Introduction Au Produit | Introduzione Del Prodotto | Presentación Del Producto | 產品介紹 | 產品介紹 | 제품 소개 | 商品紹介

04

INTEL INSTALLATION GUIDE

Installationsanleitung | Guide D'installation | Guida All'installazione | Guía De Instalación | 安裝指南 | 安裝指南 | 설치 안내 | 設置のガイド

08

AMD INSTALLATION GUIDE

Installationsanleitung | Guide D'installation | Guida All'installazione | Guía De Instalación | 安裝指南 | 安裝指南 | 설치 안내 | 設置のガイド

12

ANTEC IUNITY SOFTWARE GUIDE

Antec iUnity Software Guide | Guide logiciel du Antec iUnity | Guida al software iUnity di Antec | Guía Software De Antec iUnity | 安钛克 iUnity軟體指南 | 安钛克 iUnity软件指南 | Antec iUnity 소프트웨어 가이드 | ANTEC iUnity 소프트웨어

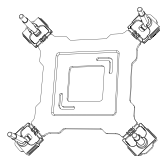
22

CONTENTS AND ACCESSORIES

1 ACCESSORY BOX CONTENTS

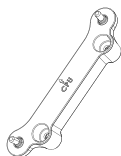
Packungsinhalt | Contenu de l'Emballage | Contenuto della confezione | Contenido del paquete | 配件盒内容物 | 产品 | 포장 내용물 | パッケージの内容

A Intel Backplate



***1**

B AMD Mounting Bracket



***2**

C Intel Collars



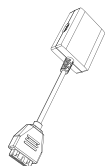
***4**

D Radiator Screws



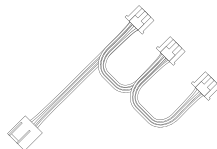
***12**

E USB Hub

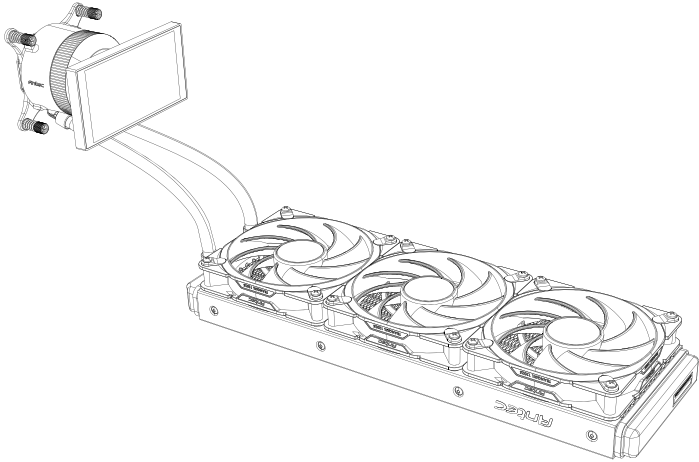


***1**

F 4-pin Cable

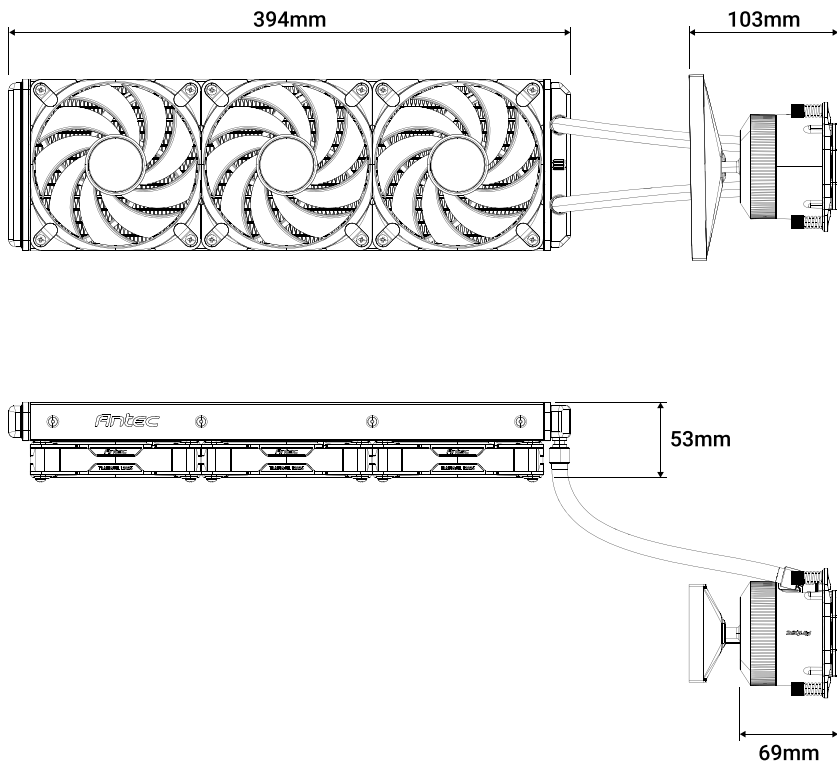


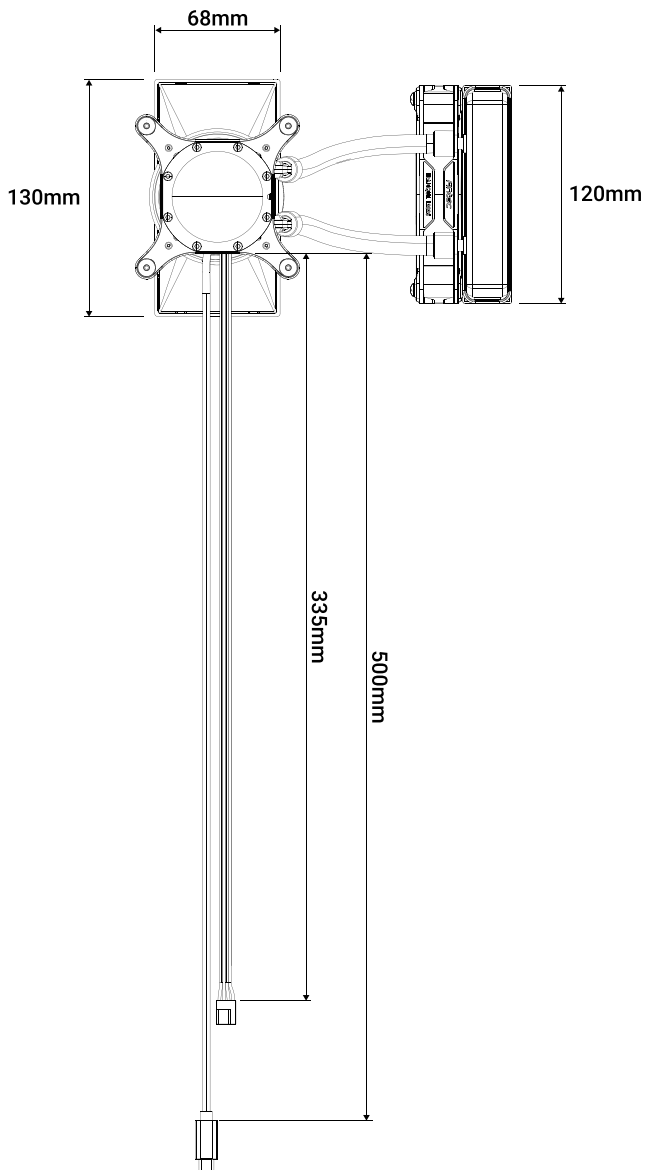
***1**

G CPU Cooler Assembly***1**

1 CPU COOLER ASSEMBLY OVERVIEW

Übersicht der CPU-Kühler-Montage / Vue d'ensemble de l'assemblage du refroidisseur CPU / Panoramica dell'assemblaggio del dissipatore CPU / Visión general del montaje del dissipador de CPU / CPU 散热器安装總覽 / CPU 散热器安装概覽 / CPU 쿨러 조립 개요 / CPU 쿨러組立て概要





PRODUCT

2 PRODUCT SPECIFICATIONS

Produktspezifikationen / Spécifications du produit / Specifiche del prodotto / Especificaciones del product / 產品規格 / 產品規格 / 제품 사양 / 製品仕様

Fan

Dimensions	120 x 120 x 25 mm
Type	PWM Fan
Speed	400±100 ~ 2000±150 RPM
Airflow	59.23 CFM (max.)
Noise	28.6 dB(A)
Air pressure	2.46 mmH ₂ O (max.)
Lifespan	50,000 hours / 25°C
Connector	4-pin PWM

Radiator

Dimensions	394 x 120 x 27 mm
Material	Aluminum

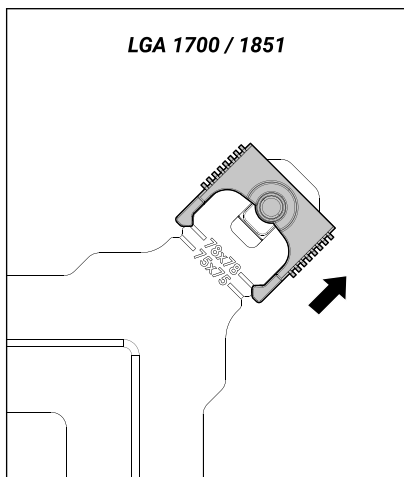
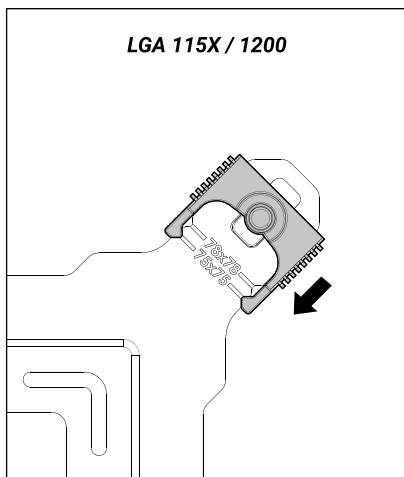
Head

Connector	PUMP : 4-pin PWM
Lifespan	50,000 hours
Noise	≤27 dB(A)
Socket Compatibility	Intel:LGA115X / 1200 / 1700 / 1851 AMD:AM4 / AM5

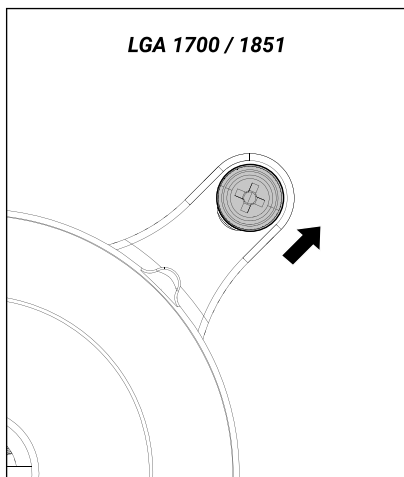
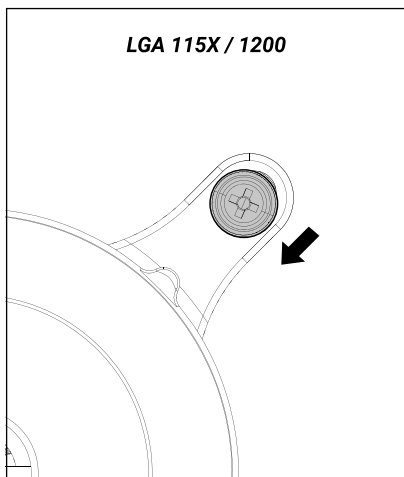
1 ADJUST THE RETENTION RING

Halterungsring anpassen / Ajuster l'anneau de retenue / Regolare l'anello di ritenzione / Ajustar el anillo de retención / 調整支架 / 調整支架 / 고정 링 조정 / 리텐션링을調整する

[A] BACKPLATE

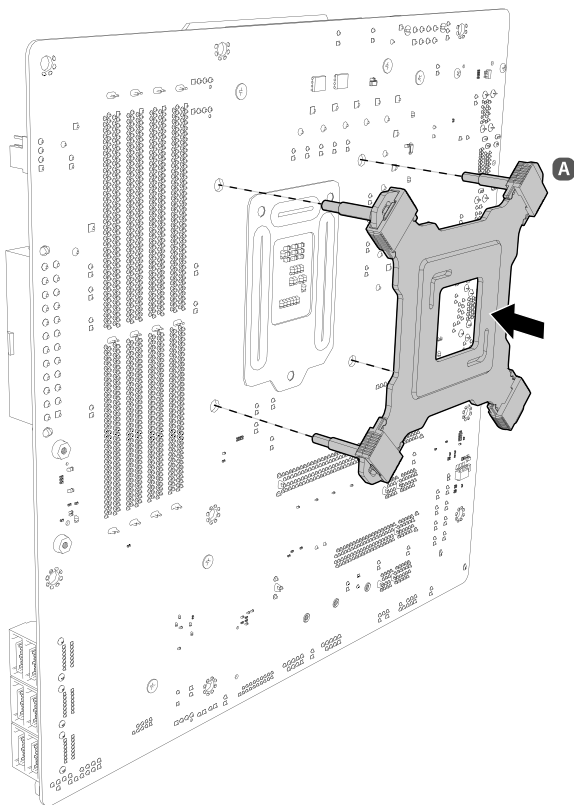
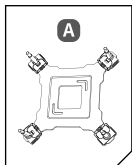


[B] PUMP BACKPLATE



2 INSTALL THE INTEL BACKPLATE

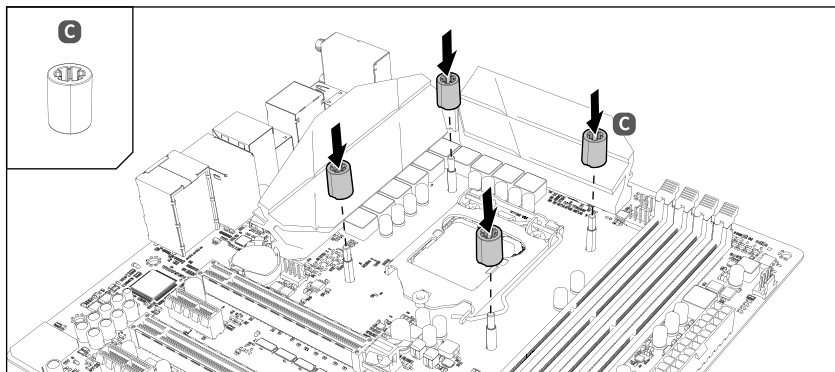
Intel-Rückplatte installieren / Installer la plaque arrière Intel / Installare la piastra posteriore Intel / Instalar la placa posterior Intel / 安裝 Intel 背板 / 安裝 Intel 背板 / 인텔 백플레이트 설치 / Intel/バックプレートを取り付ける



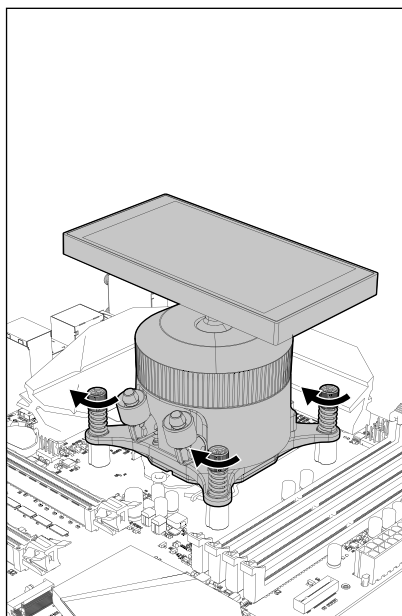
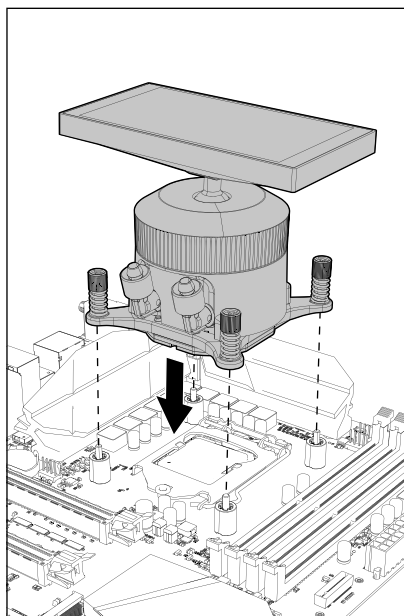
3 INSTALL THE PUMP

Pumpe installieren / Installer la pompe / Installare la pompa / Instalar la bomba / 安装水泵 / 安装水泵 / 펌프 설치 / ポンプを取り付ける

[A] COLLARS

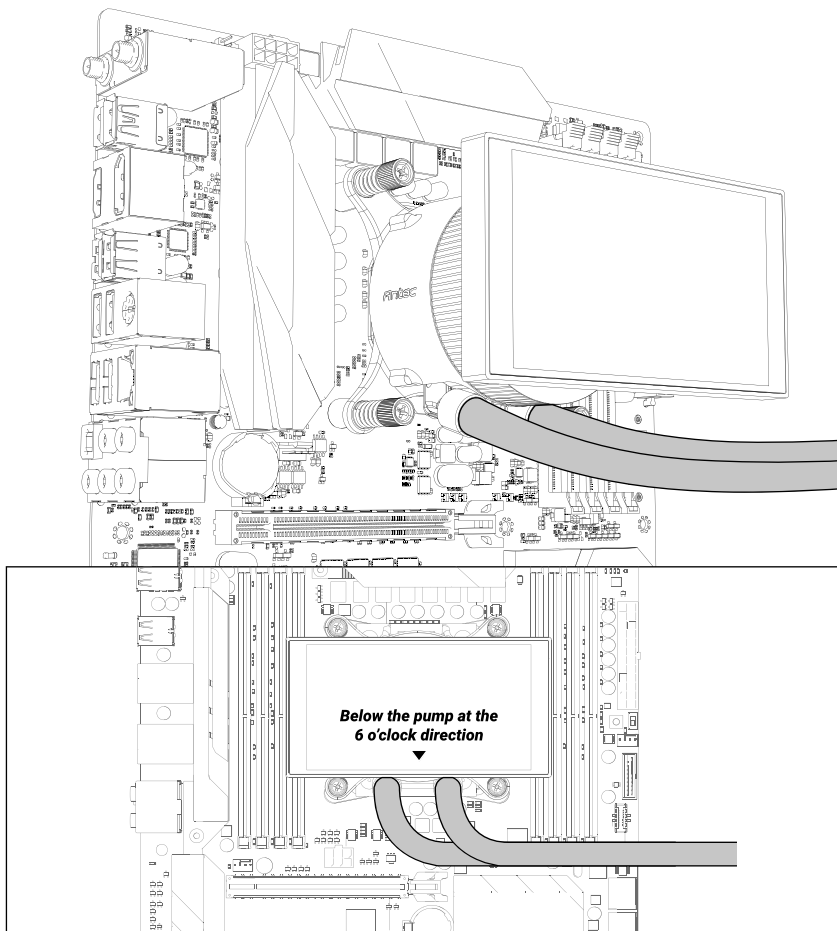


[B] PUMP



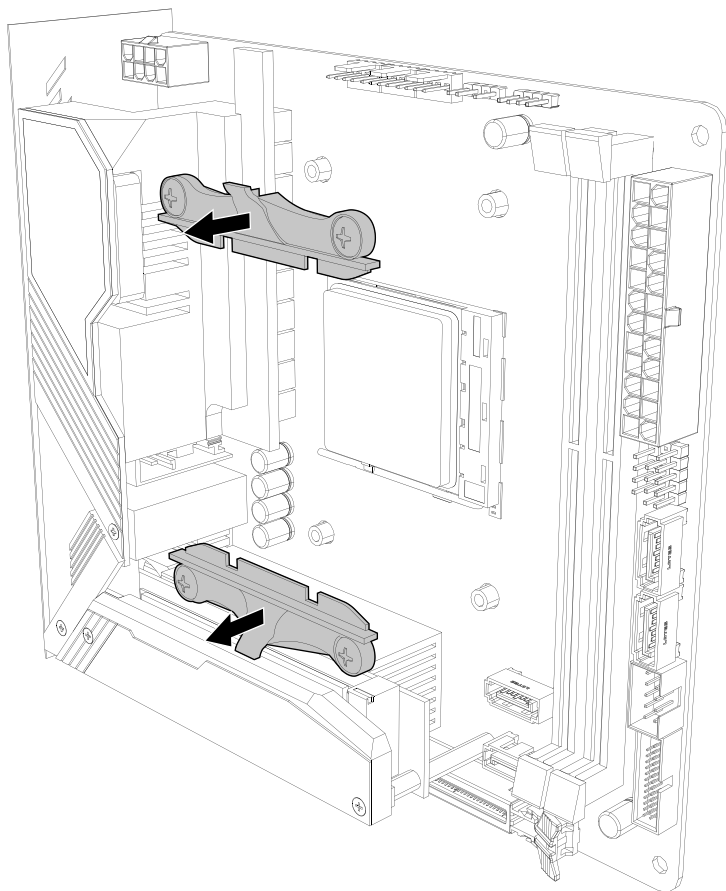
[C] OPTIMIZED SETUP FOR INTEL CPUS

**It is recommended to position the water-cooling tubes below the pump at the 6 o'clock direction for Intel CPU.*



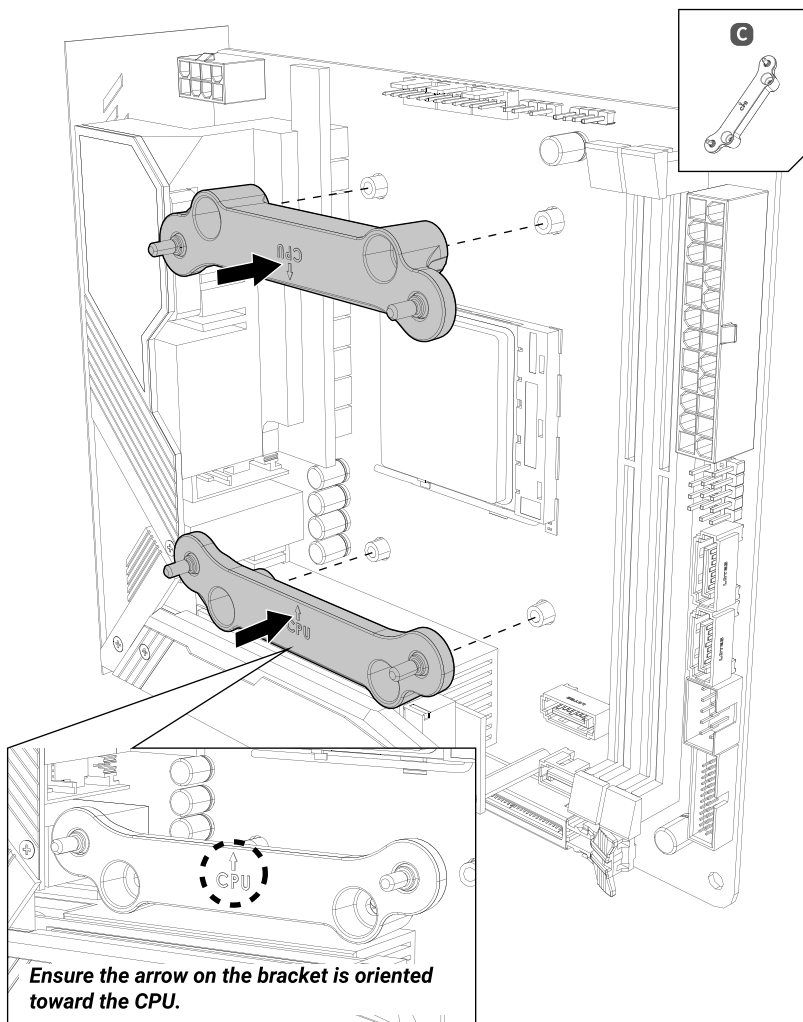
1 REMOVE THE MOTHERBOARD BRACKET

Mainboard-Halterung entfernen / Retirer le support de la carte mère / Rimuovere il supporto della scheda madre / Retirar el soporte de la placa base / 拆下主機板支架 / 拆下主板支架 / 메인보드 브래킷 제거 / 마ザー보드 브래킷을取り外す



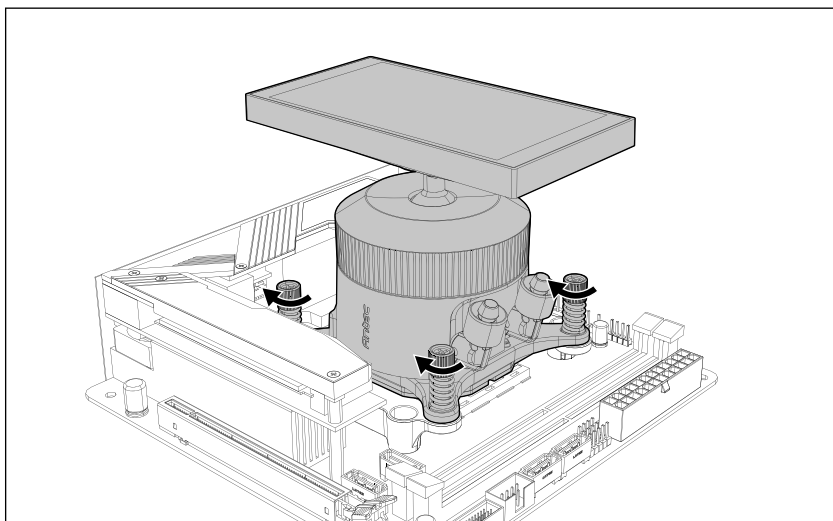
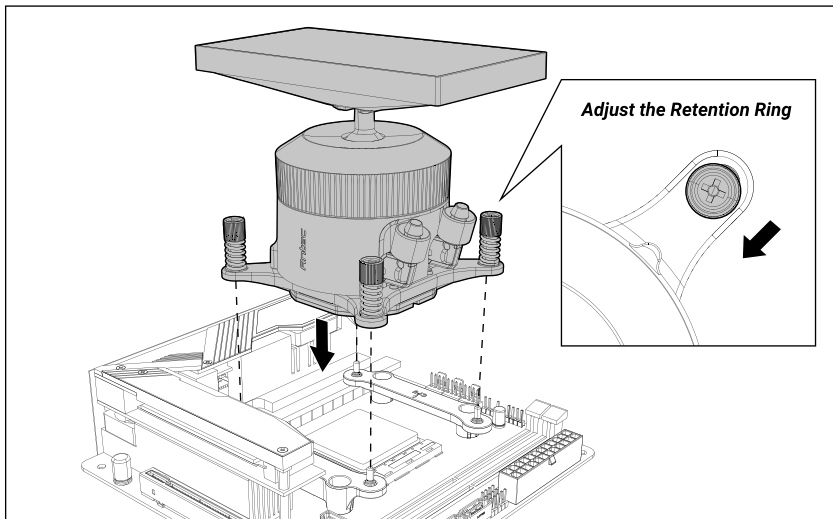
2 INSTALL THE AMD MOUNTING BRACKET

Installieren Sie die AMD-Halterung / Installez le support de montage AMD / Installa la staffa di montaggio AMD / Instala el soporte de montaje AMD / 安裝 AMD 支架 / 安裝 AMD 支架 / AMD 장착 브래킷 설치 / AMD 마운팅브라켓을取り付け



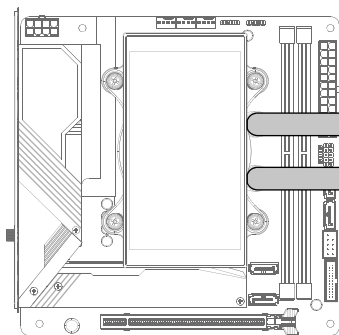
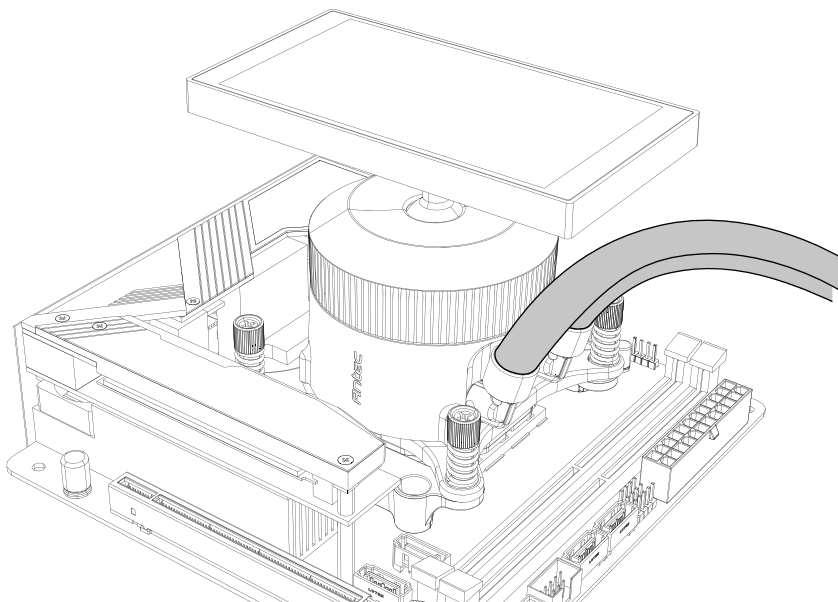
3 INSTALL THE PUMP

Pumpe installieren / Installer la pompe / Installare la pompa / Instalar la bomba / 安装水泵 / 安装水泵 / 펌프 설치 / ポンプを取り付ける



OPTIMIZED SETUP FOR AMD CPUS

**It is recommended to position the water-cooling tubes on the right side of the pump at the 3 o'clock direction for AMD CPU.*

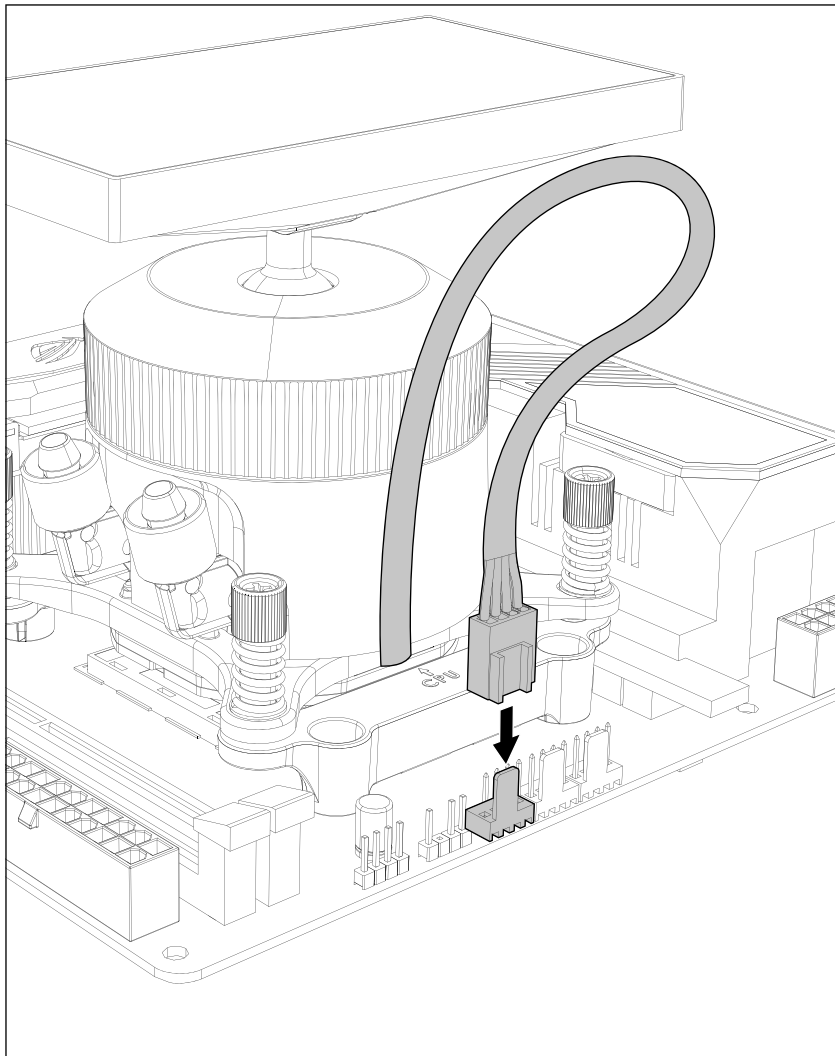


Position the water-cooling tubes on the right side of the pump at the 3 o'clock ▶

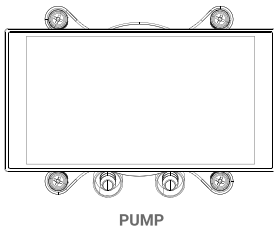
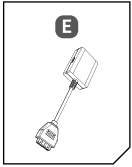
1 CONNECT THE PUMP HEAD

Pumpenkopf anschließen / Connecter la tête de pompe / Collegare la testina della pompa / Conectar la cabeza de la bomba /
連接水泵頭 / 连接水泵头 / 펌프 헤드 연결 / ポンプヘッドを接続する

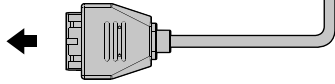
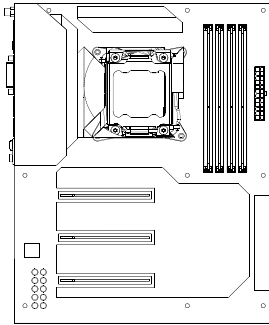
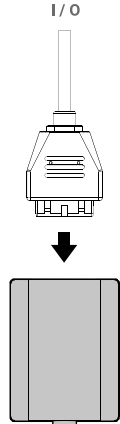
[A] 4-PIN HEADER



[B] TYPE-C



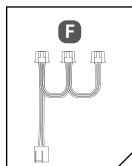
TYPE-C



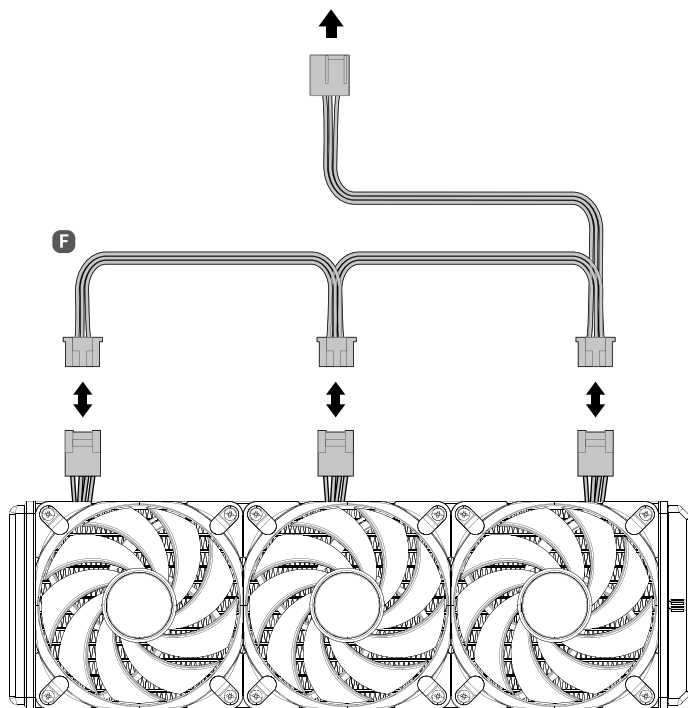
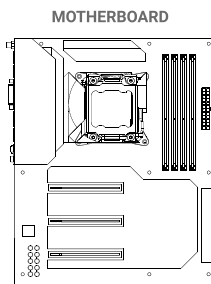
MOTHERBOARD

2 CONNECT THE FANS

Lüfter anschließen / Connectez les ventilateurs / Collegare le ventole / Conecte los ventiladores / 連接風扇 / 连接风扇 / 팬 연결 /
ファンを接続する

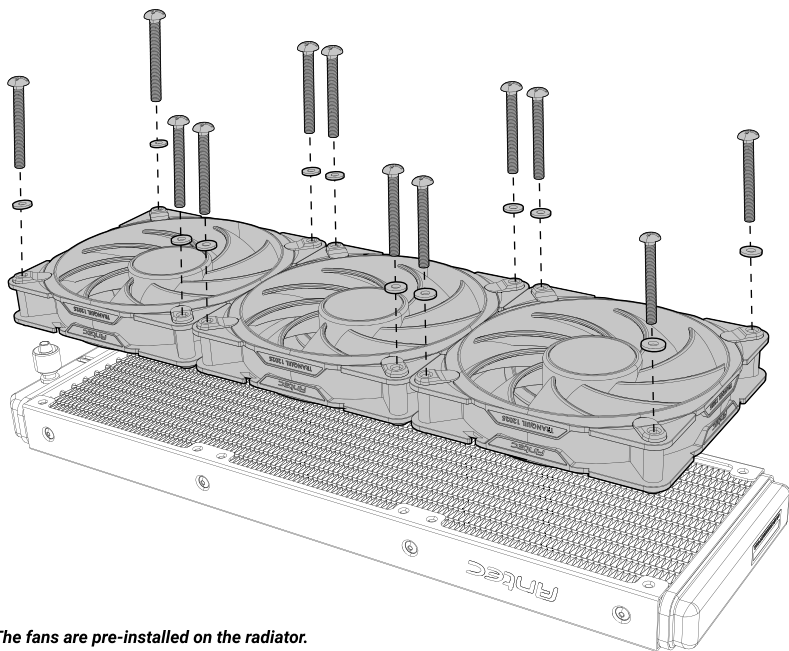


****It is recommended to connect the daisy-chain fan splitter cable before mounting the radiator to the case.***



3 INSTALL THE FANS

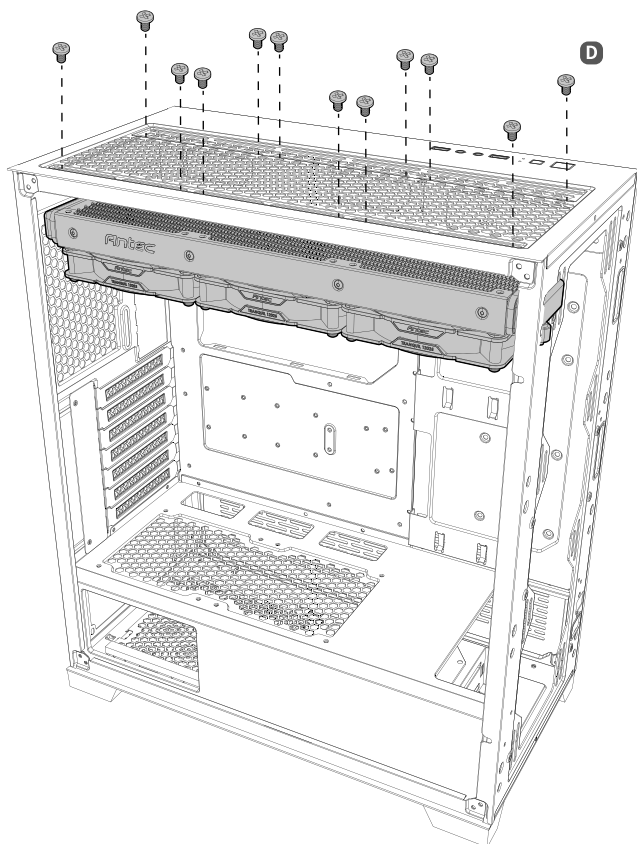
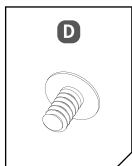
Installiere die Lüfter / Installer les ventilateurs / Installare le ventole / Instalar los ventiladores / 安裝風扇 / 安裝風扇 / 팬 설치 /
 ファンを取り付ける



**The fans are pre-installed on the radiator.*

4 INSTALL THE RADIATOR

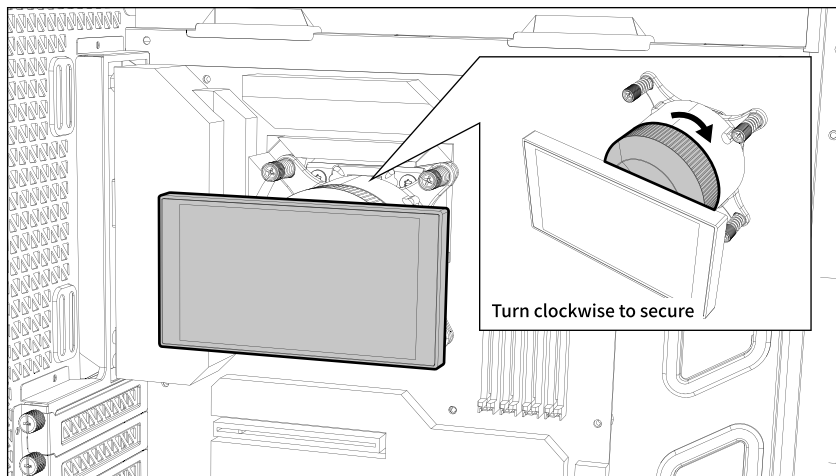
Montieren Sie den Radiator / Installez le radiateur / Installare il radiador / Instale el radiador / 安裝水冷排 / 安裝水冷排 / 라디에이터를 설치하세요 / ラジエーターを取り付けてください



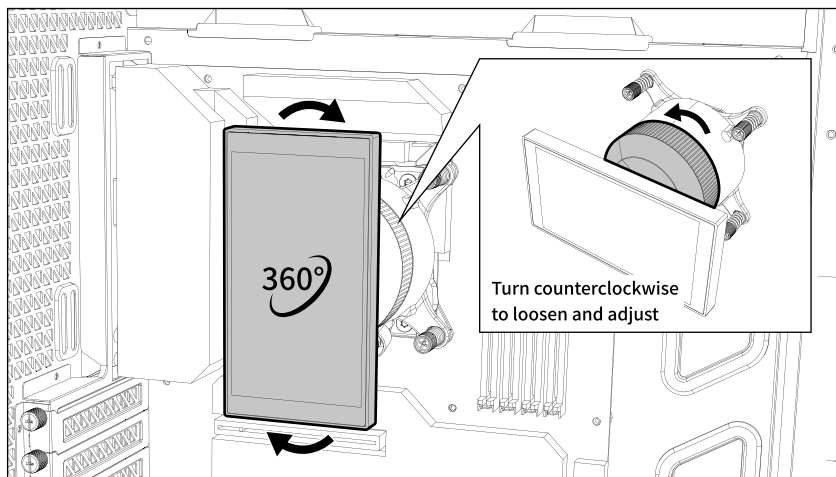
5 ADJUST THE SCREEN

Bildschirm anpassen / Ajuster l' écran / Regolare lo schermo / Ajustar la pantalla / 調整螢幕 / 調整屏幕 / 화면 조정 / 画面を調整する

[A] SECURE THE SCREEN



[B] ADJUST THE SCREEN



I SOFTWARE FUNCTION

Softwarefunktion / Fonction du logiciel / Funzione del software / Función del software / 軟體功能 / 软件功能 / 소프트웨어 기능 / 소프트웨어機能

For details on setting up and using iUnity, scan the QR code below.



II JOIN OUR DISCORD COMMUNITY

Need help, have questions, or just want to chat?

Scan the QR code below or visit "www.anteccom/discord" to join our Discord server and connect with our team and other users.

