



Upgraded & Engineered for Performance

MERCURY 120 RGB

All in One Liquid Cooler

- Large Pump
- Ultra-Efficient, PWM Radiator Fans
- Water Pressure of 2.3 Meters High
- RGB LED Lighting
- Graphite Bearings
- PTFE Corrosion Resistant Tubing



MERCURY 120 RGB

INTEL SOCKET	AMD SOCKET
LGA2066/LGA2011-V3/LGA2011/LGA1366/LGA1156/1155/1151/1150/775	TR4/AM4/AM3+/AM3/AM2+/AM2/FM2+/FM2/FM1



Large Pump

Silent pump with a vibration-dampening shroud

Easy Installation



Intelligent PWM RGB LED Fan

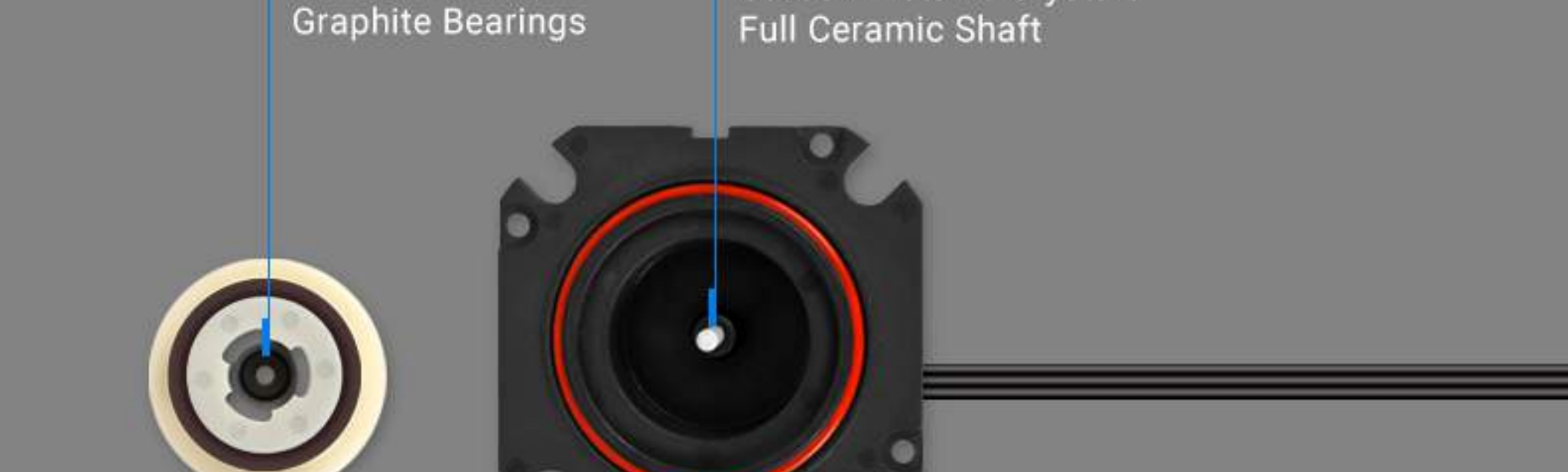
30 LEDs light up the fans in uniform color and brightness



Closed Silent Impeller

High performance pump with an ultra-quiet closed impeller design and three-phase motor enable the maximum amount of water circulation, keeping your system running cool and quiet.

Non-Lubricated Graphite Bearing



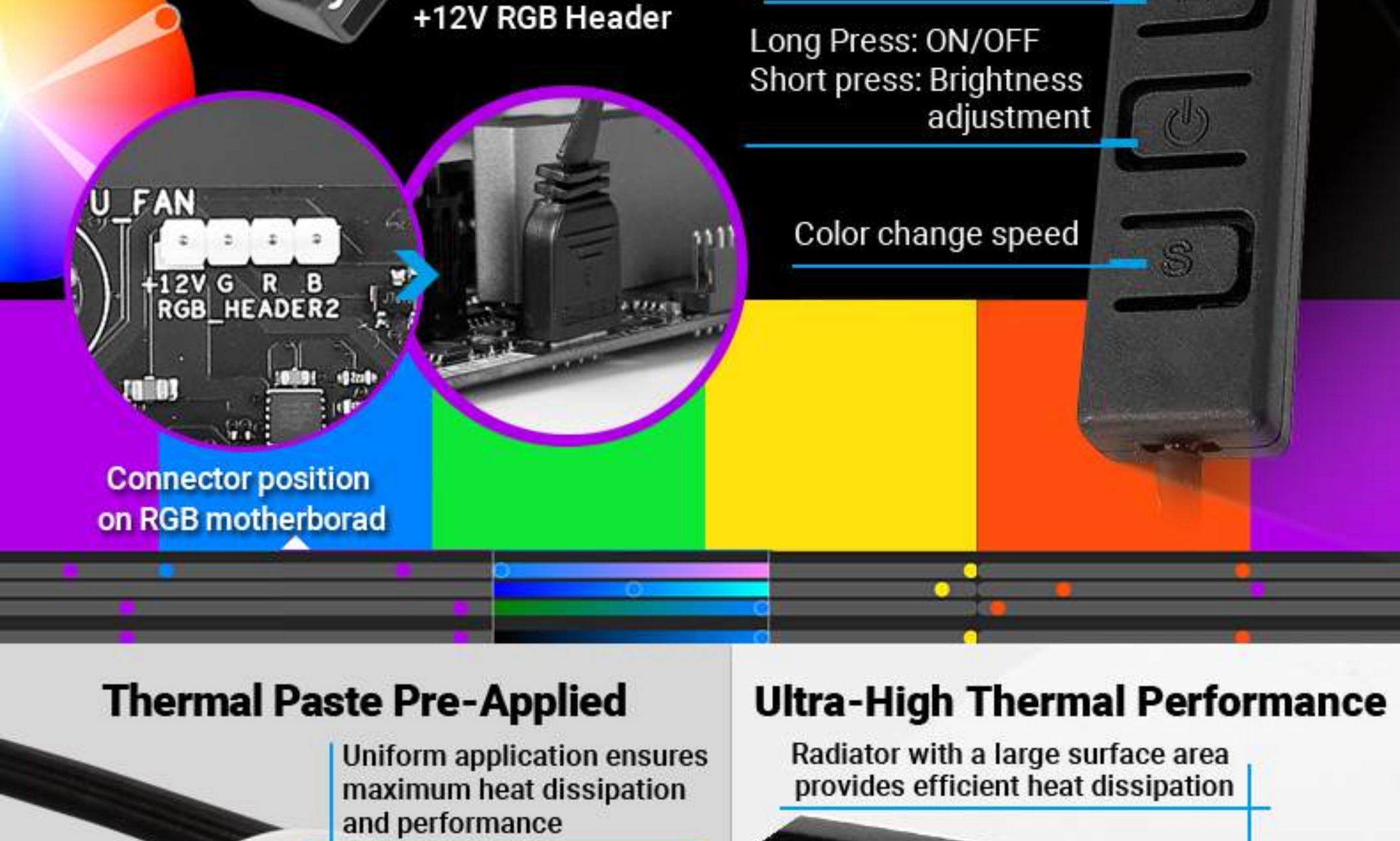
- Non-Lubricated Graphite Bearings
- Carbon Metallic Crystals Full Ceramic Shaft



PTFE-Coated Tubing Provides Excellent Durability And High Temperature Resistance + Nylon-Braided Tube Sleeve

Operation lifetime of 15 years
Low evaporation tubing ensures maintenance-free
Corrosion resistant

- PTFE-Coated Inner Tube
- Nylon-Braided Tube Sleeve



- RGB Sync Via Motherboard
- OR
- Integrated RGB Hub

Multiple RGB modes: Single color, breathing, flashing, and gradient color cycling

Long Press: ON/OFF

Short press: Brightness adjustment

Color change speed

Connector position on RGB motherboard



Thermal Paste Pre-Applied

Uniform application ensures maximum heat dissipation and performance

Ultra-High Thermal Performance

Radiator with a large surface area provides efficient heat dissipation

Product Display



MERCURY 120 RGB

Model Name		Mercury 120 RGB
Cooling Type		Watercooling
Fan	Dimensions	120 x 120 x 25 mm
	Type	PWM RGB LED Fan
	Speed	900~1800 RPM ± 10%
	Airflow	73.31CFM (2.021 m3/min)
	Noise Level	≤ 36 dBA
	Static Pressure	2.25 mm-H2O
	Lifespan	40000 hours at 25°C Room, ambient 15-65% RH
	Connector	4-Pin
	Power Consumption	3.6W
Radiator	Dimensions	154 x 119 x 27 mm
	Material	Aluminum
	Dimensions	80 x 80 x 60mm
	Material	PPS
	Lifespan	50,000 hours at 25°C Room, ambient 15-65% RH
Pump	Connector	4-Pin or SATA power
	Power Consumption	8.1W
	Noise Level	≤26 dBA
	Flow Rate	3.5 L / Min
Socket Compatibility	Intel	LGA 2066 / 2011-V3 / LGA2011 / LGA1366 / LGA1156 / 1155 / 1151 / 1150 / 775
	AMD	TR4/ AM4 / AM3+ / AM3 / AM2+ / AM2 / FM2+ / FM2 / FM1
Warranty	5 Years	
UPC#	0-761345-74012-8	

