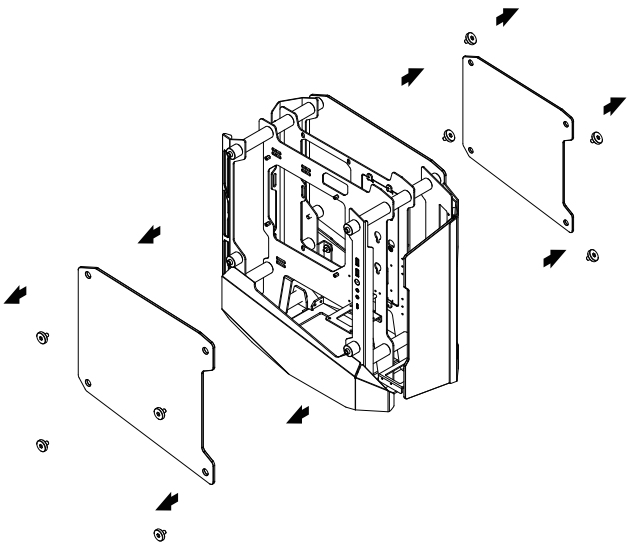
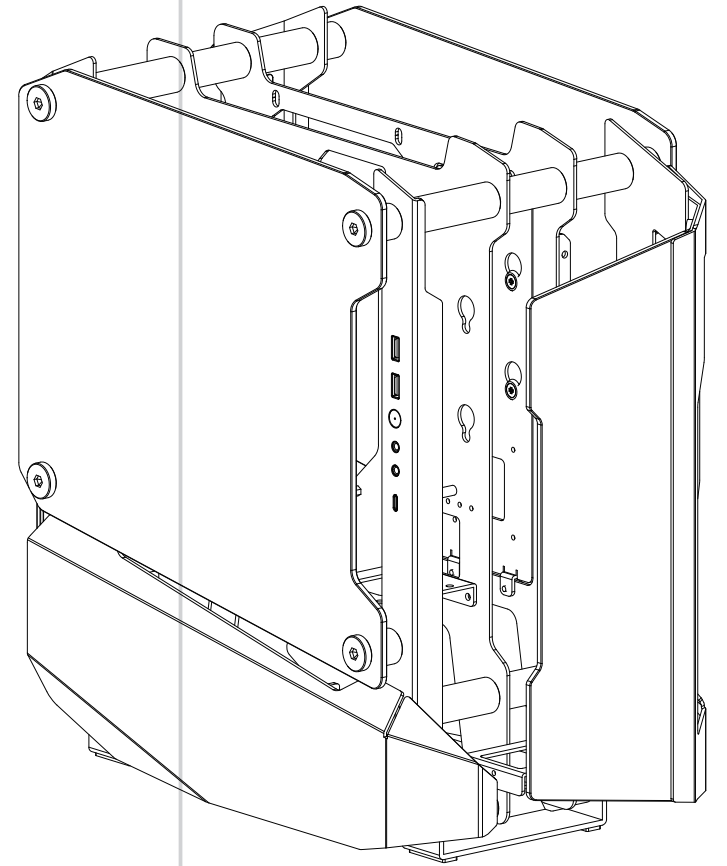
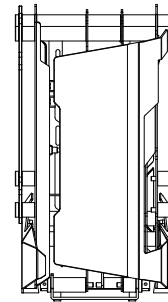
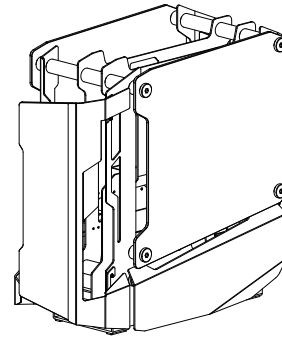




### An Unprecedented Step We Took

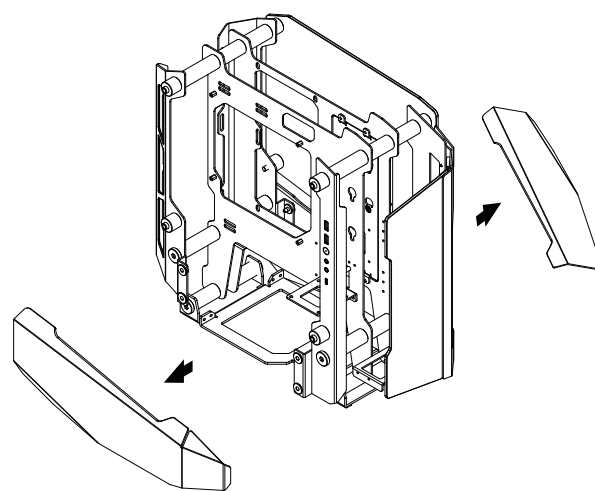
Striker, the ITX open case is the first of its kinds, designed for custom water-cooling gamers. Characterized by its irregular shape, unique form and innovative structure, Striker will be a brand-new challenge for experienced modders. It is the first open case featuring a front-placed VGA design, ITX form factor and bold styling. Antec Striker will arouse your enthusiasm for extreme gaming.

- CNC Cutting
- Front GPU Mount
- Type-C 3.1
- High Thermal Performance
- Riser Cable Included
- Aluminum & Steel



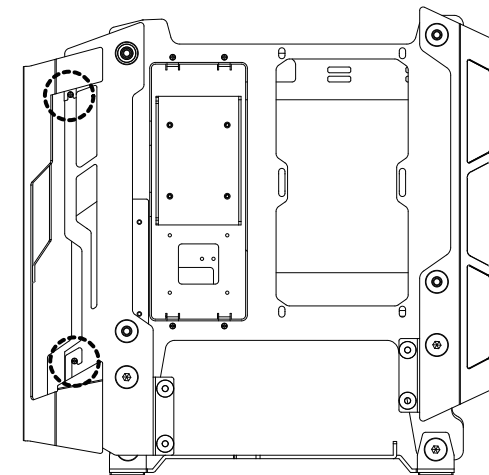
Remove the screws and tempered glass side panels  
卸下螺钉和钢化玻璃侧板 / 卸下螺钉和钢化玻璃侧板

1



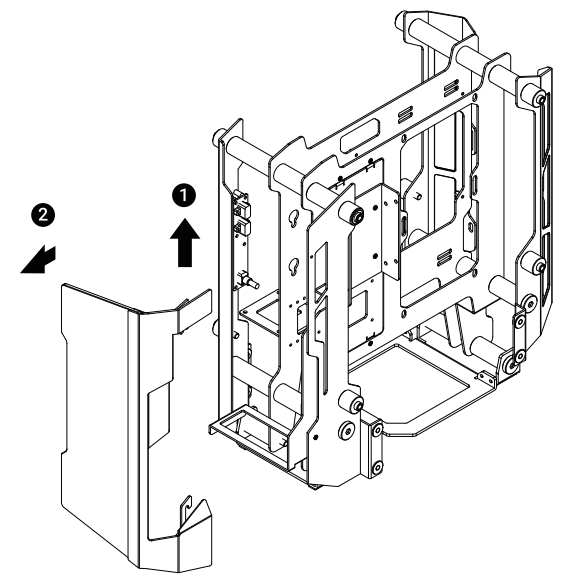
Pull out the PSU cover on the bottom  
拉出底部的PSU盖板 / 拉出底部的PSU盖板

2



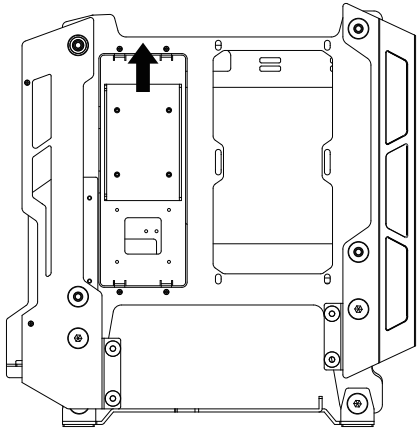
Remove the screws here  
拆下螺丝 / 拆下螺丝

3



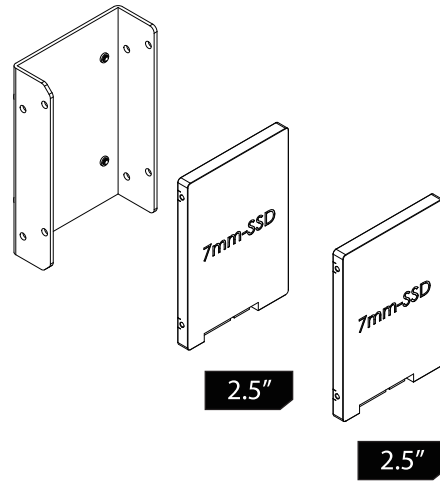
Lightly lift the front cover up, and it can be removed easily.  
轻轻抬起拉出 · 可轻松取下前盖 / 轻轻抬起拉出 · 可轻松取下前盖

4



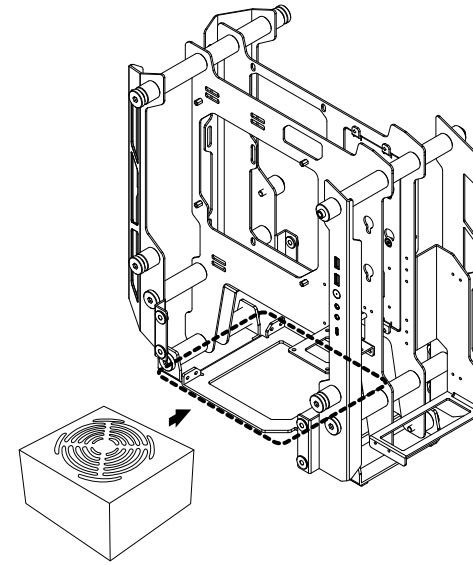
To remove the 2.5" SSD tray, simply pull it up.  
2.5" SSD托盤只需向上拉起即可卸下 / 2.5" SSD托盤只需向上拉起即可卸下

5



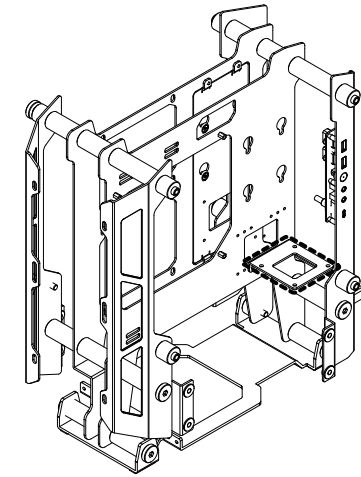
Two 2.5" SSDs can be installed at the same time  
可以同时安装两个2.5" SSD / 可以同时安装两个2.5" SSD

6



Install ATX or SFX Power Supply  
安装ATX或SFX电源 / 安装ATX或SFX电源

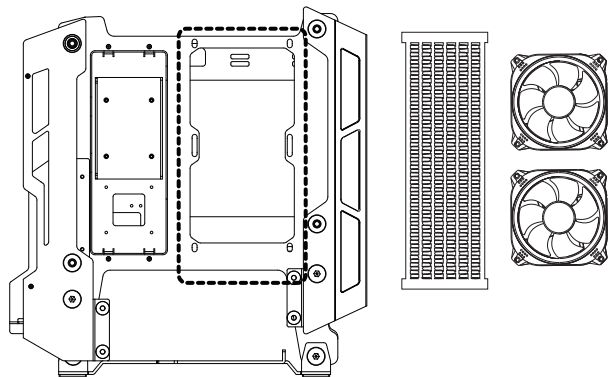
7



Location of Water Pump Installation  
水泵安装位置 / 水泵安装位置

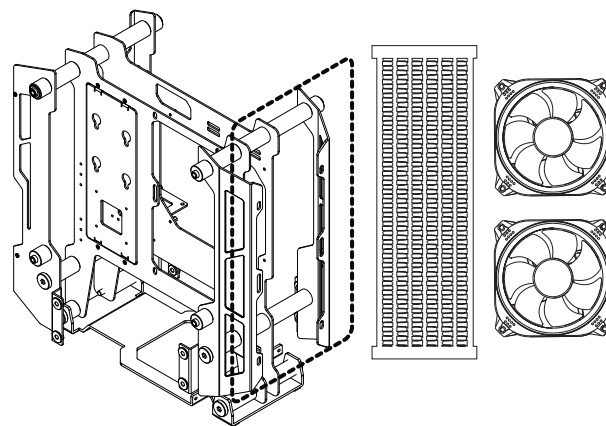
The water pump bracket can be used according to requirements, and the installation position can be determined through the screw hole.  
水泵支架可根据需求使用·安装位置可通过螺孔确定 / 水泵支架可根据需求使用·安装位置可通过螺孔确定

8



Able to install 1 x 240mm radiator or 2 x 120mm fans at side  
側邊可安裝1 x 240mm散熱器或2 x 120mm風扇 / 側邊可安裝1 x 240mm散熱器或2 x 120mm風扇

9



Able to install 1 x 240mm radiator or 2 x 120mm fans in rear  
後方可安裝1 x 240mm散熱器或2 x 120mm風扇 / 後方可安裝1 x 240mm散熱器或2 x 120mm風扇

10

Parts  
零件



x15

SSD Hard Drive & Motherboard Screws  
SSD & 主板螺絲 / SSD & 主板螺絲



x6

HDD Hard Drive Screws  
HDD螺絲 / HDD螺絲



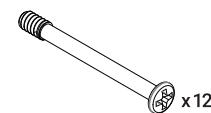
x4

Power Supply & Expansion Slot Screws  
PSU & PCI擋板螺絲 / PSU & PCI擋板螺絲



x5

Motherboard Standoff  
主板銅柱 / 主板銅柱



x12

Long Screws for Case Fans  
風扇長螺絲 / 風扇長螺絲