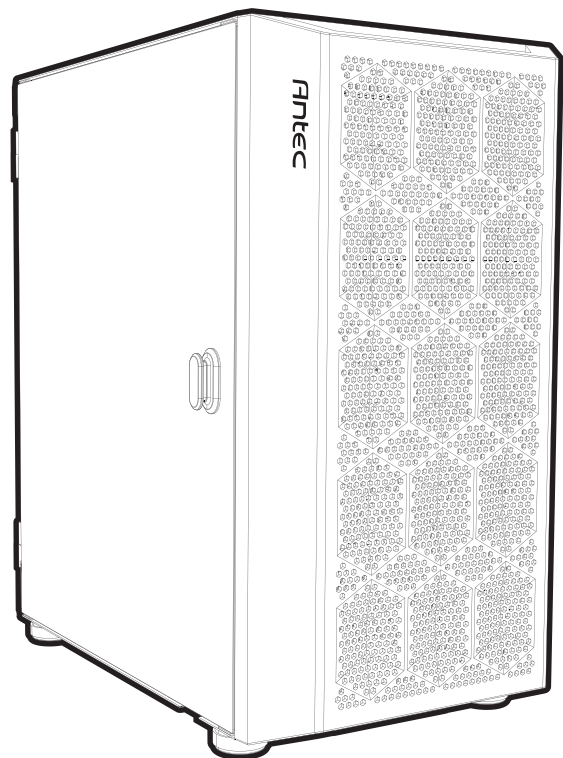
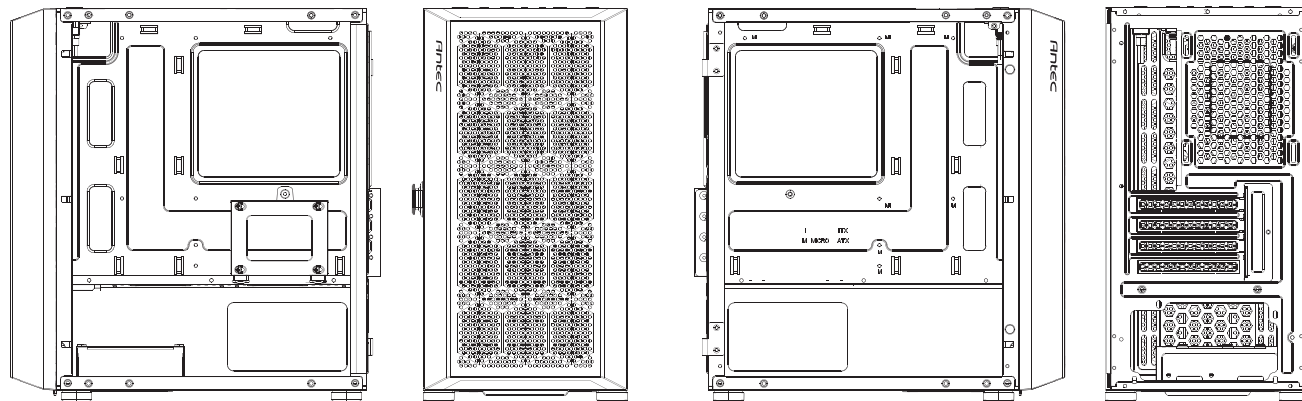


Antec.



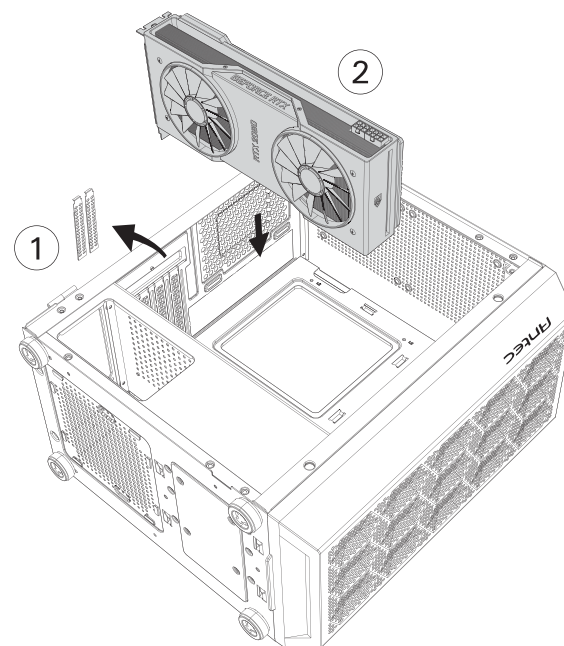
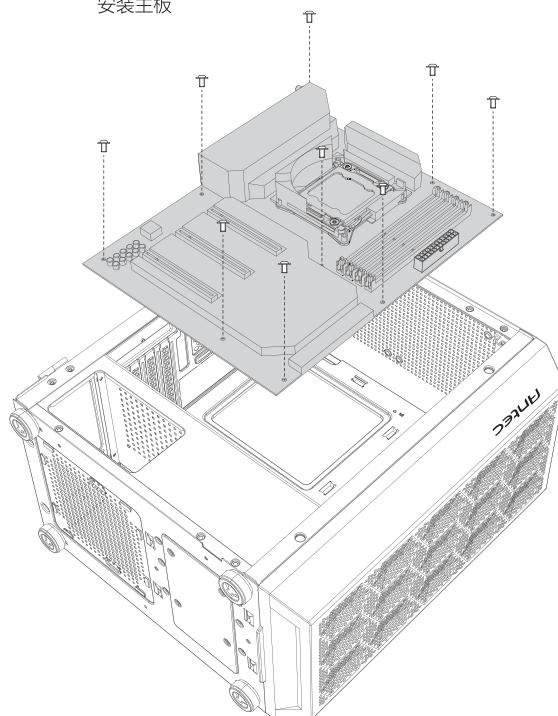
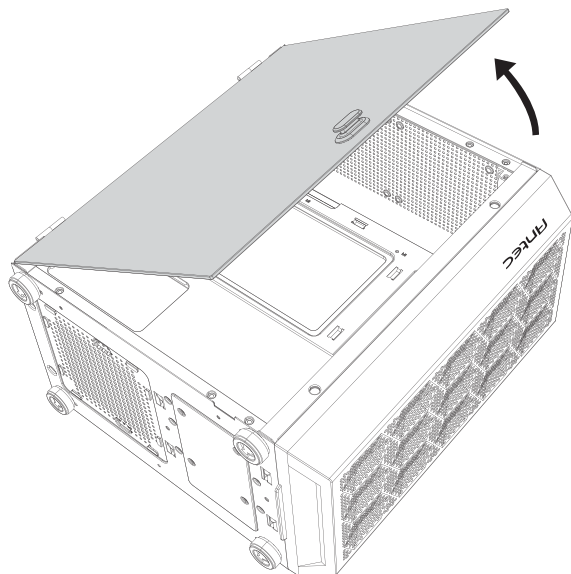
# NX200M



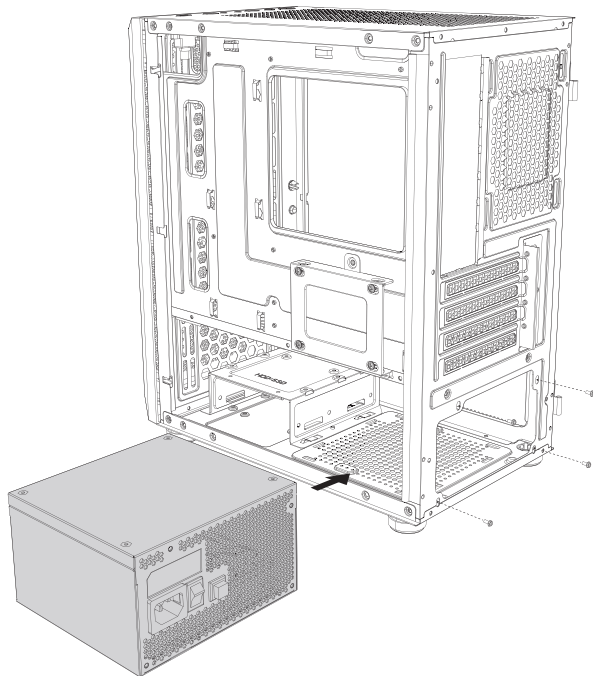
- 1 REMOVE SIDE PANEL**  
EXTRACCIÓN DEL PANEL LATERAL  
SEITENWAND ENTFERNEN  
RETIRER LE PANNEAU LATÉRAL  
사이드 패널 분리  
サイドパネルを取り外します  
拆下側面板

- 2 MOTHERBOARD INSTALLATION**  
INSTALACIÓN DE LA PLACA BASE  
INSTALLATION DES MOTHERBOARDS  
INSTALLATION DE LA CARTE MÈRE  
메인보드 장착  
マザーボードの設置  
安装主板

- 3 VGA/PCI-EXPRESS CARD INSTALLATION**  
INSTALACIÓN EXPRES DE LA TARJETA VGA/PCI  
VGA / PCI-EXPRESS KARTENINSTALLATION  
INSTALLATION DE LA CARTE VGA/PCI-EXPRESS  
VGA/PCI-E 카드 장착  
VGA/PCI-Eの設置  
安装VGA/PCI-E卡

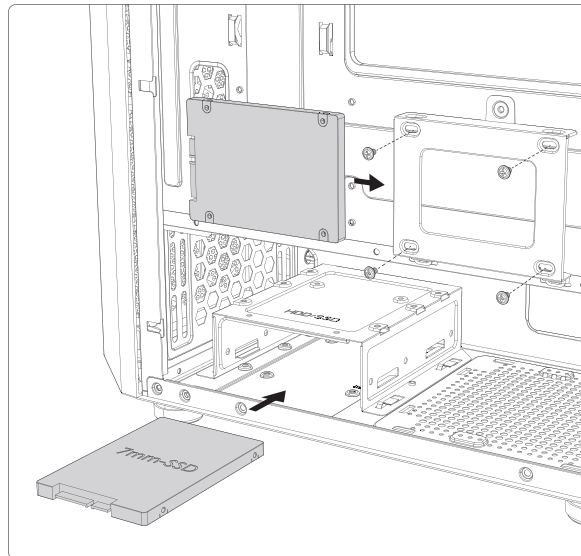


- 4 POWER SUPPLY INSTALLATION**  
 INSTALACIÓN DE LA FUENTE DE ALIMENTACIÓN  
 INSTALLATION DES NETZTEILS  
 INSTALLATION DU BLOC D'ALIMENTATION  
 파워서플라이 장착  
 電源の設置  
 安装电源组件

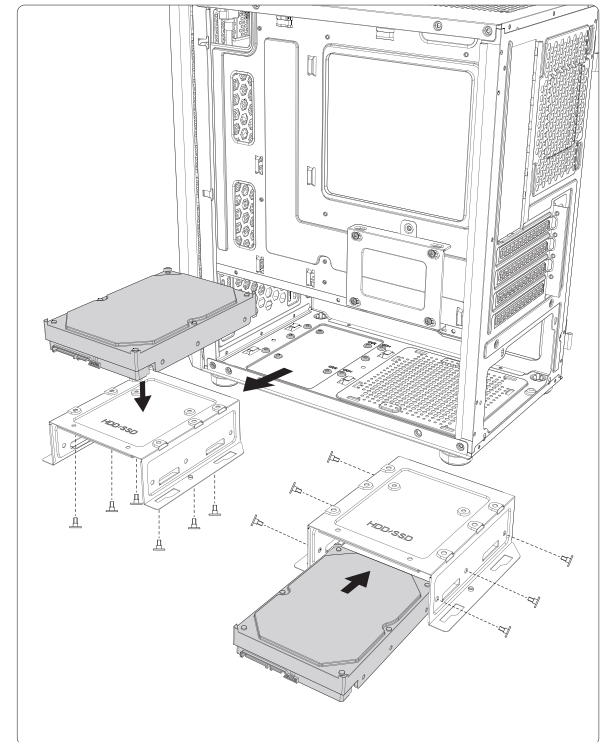


- 5 HARD DISK INSTALLATION**  
 INSTALACIÓN DEL DISCO DURO  
 FESTPLATTENINSTALLATION  
 INSTALLATION DES DISQUES DURS  
 드라이브 장착  
 ドライブの設置  
 安装驱动器

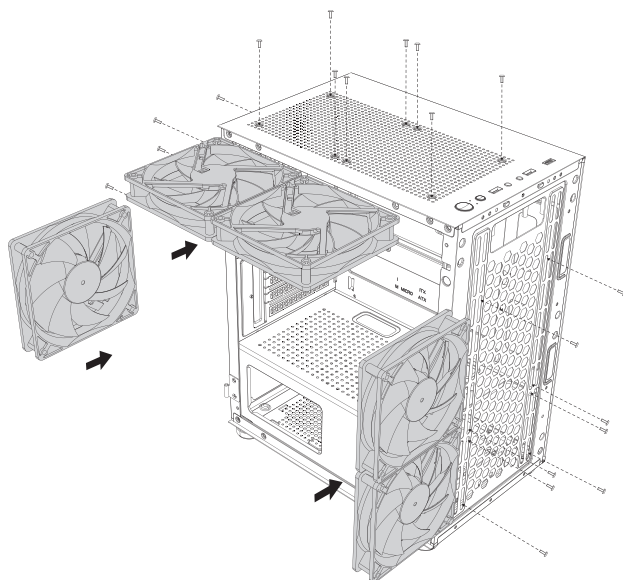
- A. INSTALLING A 2.5" SOLID STATE DRIVE**  
 INSTALAR UNA RANURA SOLID STATE DE 2.5"  
 INSTALLATION EINER 2.5 ZOLL SSD  
 INSTALLER UN DISQUE DUR 2.5"  
 2.5" SSD 장착  
 2.5" 드라이브의設置  
 2.5寸硬盘安装



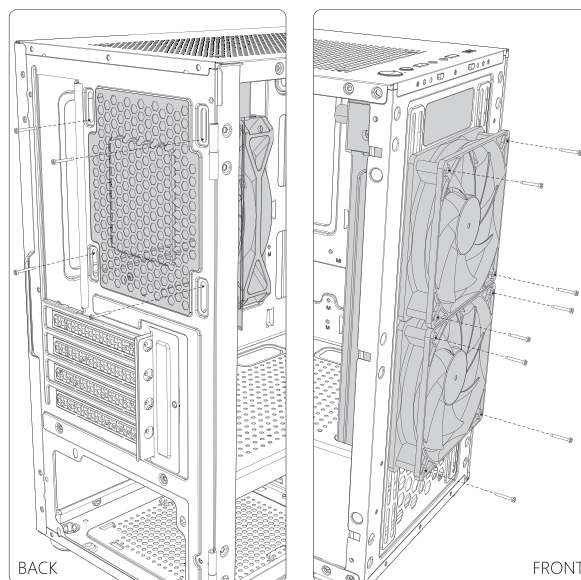
- B. INSTALLING A 3.5" HARD DISK DRIVE**  
 INSTALAR UNA RANURA DE DISCO DURO DE 3.5"  
 INSTALLATION EINES 3.5 "FESTPLATTENLAUFWERKS  
 INSTALLER UN DISQUE DUR 3.5"  
 3.5" HDD 장착  
 3.5" 드라이브의設置  
 3.5寸硬盘安装



- 6 FAN INSTALLATION**  
 INSTALAR VENTILADOR  
 LÜFTERINSTALLATION  
 INSTALLATION DU VENTILATEUR  
 팬 장착  
 케이스팬의設置  
 风扇安装



- 7 INSTALLING LIQUID COOLING RADIATOR**  
 INSTALAR EL RADIADOR DE REFRIGERACIÓN LÍQUIDA  
 INSTALLATION EINES FLÜSSIGKEITSKÜHLERS  
 INSTALLATION D'UN KIT DE REFOUILLISSEMENT LIQUIDE  
 수냉쿨러 장착  
 水冷の設置  
 水冷安装



**Antec**  
 BELIEVE IT

[www.Antec.com](http://www.Antec.com)

All rights reserved. Specifications are subject to change without prior notice. Actual products and accessories may differ from illustrations. Omissions and printing errors excepted. Content of delivery might differ in different countries or areas. Some trademarks may be claimed as the property of others.

V2.2

©1986 – 2020 Antec, Inc. All rights reserved.