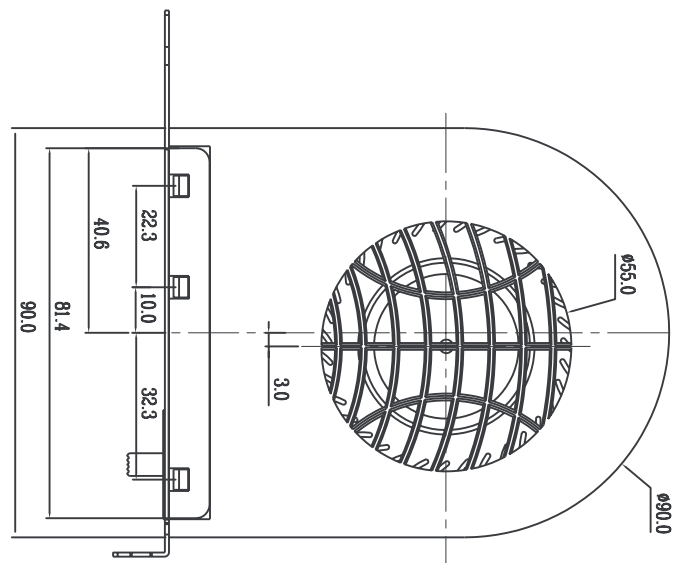
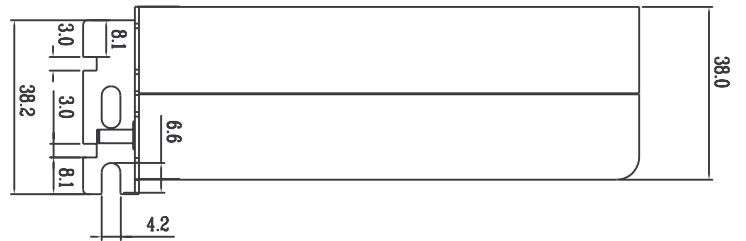
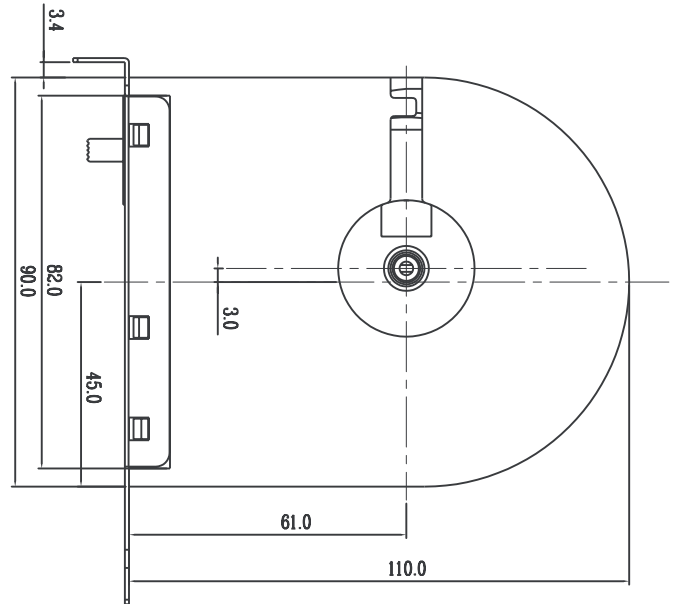
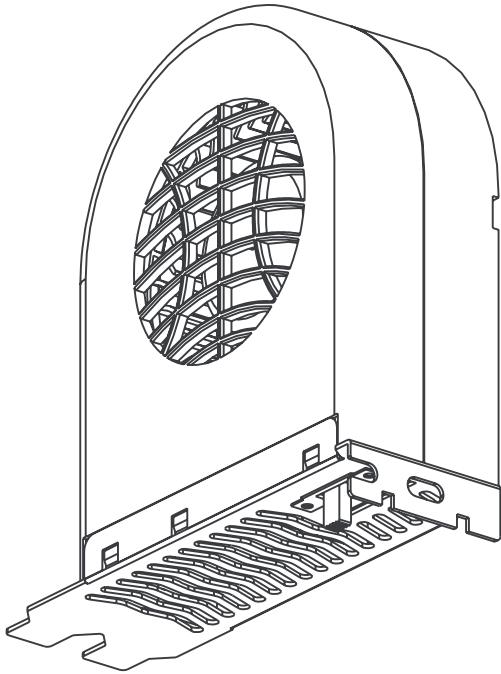


Super Cycloneblower



Voltage	12V DC		
Weight	130g		
RPM (Speed)	2600	2000	1500
CFM (Air Flow)	37.5	24.5	20
DBA (Acoustic Noise)	39.0	32.1	24.0