



NeoPower™ 430/500/550/650

User's Manual

Manuel de l'utilisateur

Anwenderhandbuch

Manuale per l'operatore

Manual del usuario

取扱説明書

User's Manual

NeoPower™ 430/500/550/650

High efficiency modular power supply

This manual covers the entire family of NeoPower power supply units (PSU). This line of PSU has increased output power distribution. The NeoPower (except the NeoPower 430) features ATX12V version 2.2/ EPS12V specifications to match the newest Intel® and AMD processor requirements. Furthermore, it includes three +12V outputs that deliver safer and more reliable power to your system's components. NeoPower generates less heat because of high efficiency technology. This keeps the power supply itself cooler and prolongs its working life. It also includes a variety of industrial-grade protective circuitry: OPP (Over Power Protection), OVP (Over Voltage Protection), and SCP (Short Circuit Protection), UVP (Under Voltage Protection).

Special Quiet Computing™ fan operation

NeoPower PSUs feature an innovative design to help decrease noise during normal use, but still allow for superior cooling capabilities as loads increase. With its high efficiency and low heat generation, the power supply utilizes a 12cm fan. The fan rotates slowly and quietly to blow hot air out of the power supply, speeding up as heat increases. The NeoPower feature Universal Input, which allows you to connect the power supply to any AC power source between 100~240V without having to worry about setting a voltage switch. This power supply also features Active PFC, which improves the power factor value of the power supply by altering the input current wave shape and thus helps transmission across the power grid.

Advanced cable management system

NeoPower PSUs feature Antec's advanced cable management system, which allows you to use only the power cables that you need, thereby reducing clutter and improving airflow inside your case. Inside the package, apart from a power cord, you will find the following:

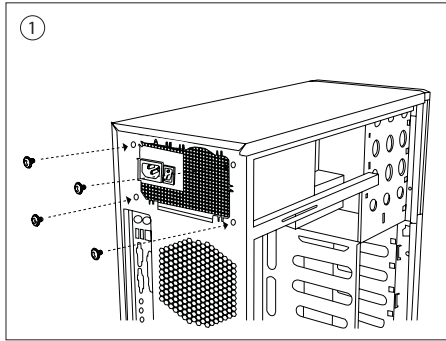
1. The 24-pin main power connector with detachable 4-pin section for 20-pin applications.
2. The 8-pin +12V (not on 430 watt model) connector and 4-pin +12V connector as standard.
3. One 8-pin with detachable 2-pin PCI-E connectors (NeoPower 650 only).
4. Five 6-pin output sockets, for use with the modular cables to power your drives and other peripherals.

Modular Cable Set

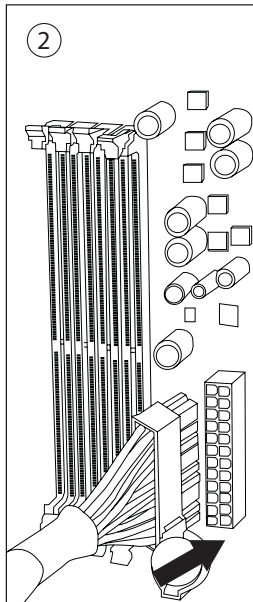
1. There will be two sets of cables with three standard 4-pin molex peripheral connectors at one end and a 6-pin PSU connector at the other end.
2. One Y-adapter with one standard 4-pin Molex peripheral connector at one end and two female floppy power connectors at the other end.
3. NeoPower 430 and 650 include one PCI-E cable with a 6-pin PCI Express graphic card connector at one end and a 6-pin PSU connector at the opposite end. The NeoPower 500 and 550 come with two of these cables.
4. Two sets of cables with two SATA drive connectors at one end and a 6-pin PSU connector at the opposite end.

Installation:

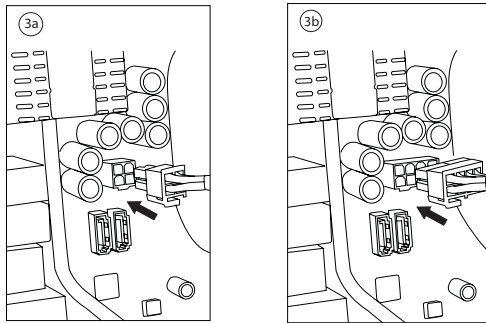
1. Install the NeoPower® PSU into your case with the four screws provided.



2. Connect the 24-pin Main connector to your motherboard.

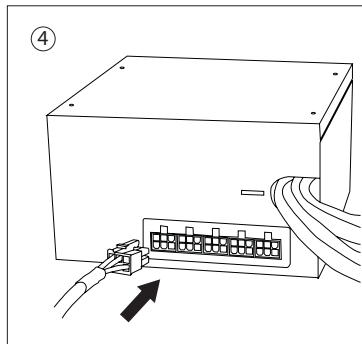


3. Connect the 4-pin (3a) or 8-pin (3b) connector for the CPU.

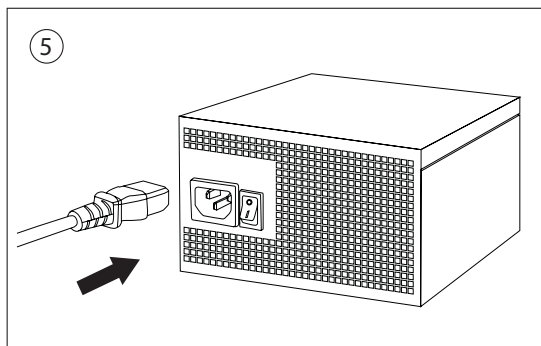


Note: Please also refer to your motherboard user guide for any special instructions.






4. Connect the cables from cable pack to the socket on the power supply as needed. If you are using the PCI Express cables, make sure that the end of the cable labeled PCI-E is plugged into the video card, not the PSU.



5. Connect the AC power cord to the power supply AC inlet and turn the switch to "I" position.



Parts List:

Quantity	Picture	Part Name	Description
1		NeoPower power supply	Includes 24-pin main connector, 8-pin +12V connector (except 430) and a 4-pin +12V Connector. (NeoPower 650 has a 6+2 PCI-E.)
2		77 cm Molex connector w/cable	Includes three Molex connectors per cable
2		78 cm Serial ATA connector w/cable	Includes two Serial ATA connectors per cable
1		14 cm Molex to Floppy connectors w/cable	Includes one Molex and two Floppy connectors per cable
2		60 cm PCI Express connector w/ cable	One PCI-E connector per cable. (NeoPower 430 and 650 only include one PCI-E cable.)

Antec, Inc.

47900 Fremont Blvd.
Fremont, CA 94538
USA
tel: 510-770-1200
fax: 510-770-1288

Antec Europe B.V.

Stuttgartstraat 12
3047 AS Rotterdam
The Netherlands
tel: + 31 (0) 10 462-2060
fax: + 31 (0) 10 437-1752

Customer Support:

US & Canada

1-800-22ANTEC
customersupport@antec.com

Europe

+ 31 (0) 10 462-2060
europe.techsupport@antec.com

www.antec.com