



NeoPower™ 650 Blue

User's Manual

Manuel de l'utilisateur

Anwenderhandbuch

Manuale per l'operatore

Manual del usuario

取扱説明書

User's Manual

NeoPower™ 650 Blue

High efficiency modular power supply

The NeoPower™ 650 Blue features ATX12V version 2.2/ EPS12V specifications. NeoPower® 650 Blue has increased output power distribution to match the newest Intel® and AMD processor requirements.

Furthermore, it includes three +12V outputs that deliver safer and more reliable power to your system's components. NeoPower™ 650 Blue generate less heat because of high efficiency technology and thus keep the power supply itself cooler and prolong its working life. It also includes a variety of industrial-grade protective circuitry: OPP (Over Power Protection), OVP (Over Voltage Protection), and SCP (Short Circuit Protection), UVP (Under Voltage Protection).

Special Quiet Computing™ fan operation

NeoPower® 650 Blue feature an innovative design to help decrease noise during normal use, but still allow for superior cooling capabilities as loads increase. With its high efficiency and low heat generation, the power supply utilizes a 12 cm fan. The fan rotates slowly and quietly to blow hot air out of the power supply, speeding up as heat increases. The NeoPower® 650 Blue feature Universal Input, which allows you to connect the power supply to any AC power source between 100~240V without having to worry about setting a voltage switch. This power supply also features Active PFC, which improves the power factor value of the power supply by altering the input current wave shape and thus helps transmission across the power grid.

Advanced cable management system

NeoPower® 650 Blue feature Antec's advanced cable management system, which allows you to use only the power cables that you need, thereby reducing clutter and improving airflow inside your case. Inside the package, apart from a power cord, you will find the following:

1. The 24-pin main power connector with detachable 4-pin section for 20-pin applications.
2. The 8-pin +12V connector and 4-pin +12V connector as standard.
3. One 8-pin with detachable 2-pin PCI-E connectors
4. Five 6-pin output sockets, for use with the cable sets to power your drives and other peripherals.

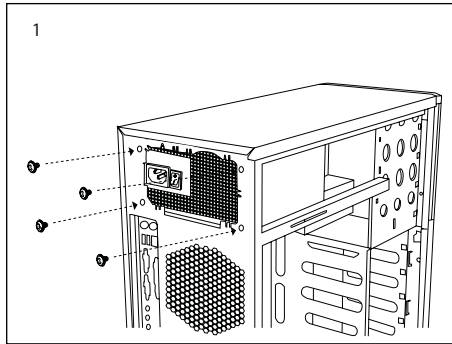
Modular Cable Set

1. There will be two sets of cables with three standard 4-pin molex peripheral connectors at one end and a 6-pin PSU connector at the other end.
2. One Y-adapter with one standard 4-pin Molex peripheral connector at one end and two female floppy power connectors at the other end.

3. One set of cables with a 6-pin PCI Express graphic card connector at one end and a 6-pin PSU connector at the opposite end.
4. Two sets of cables with two SATA drive connectors at one end and a 6-pin PSU connector at the opposite end.

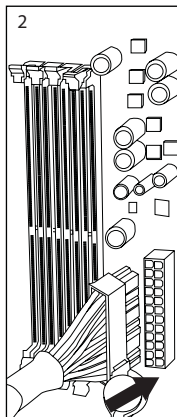
Installation:

1. Install the NeoPower® PSU into your case with the four screws provided.

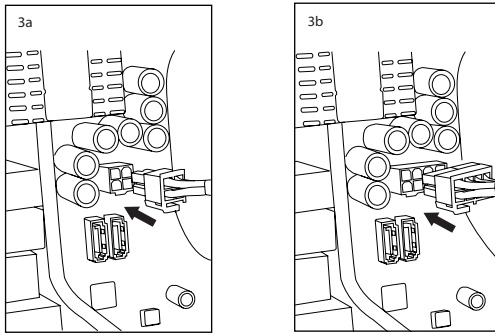


NOTE: Please also refer to your motherboard user guide for any special instructions.
NOTE: NeoPower and Quiet Computing are registered trademarks of Antec Inc

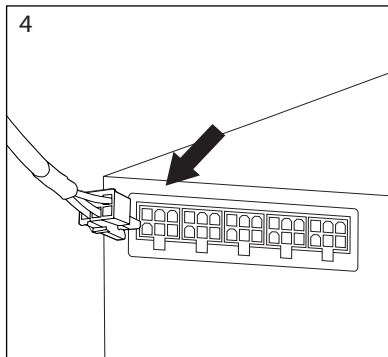
2. Connect the 24-pin Main connector to your motherboard.



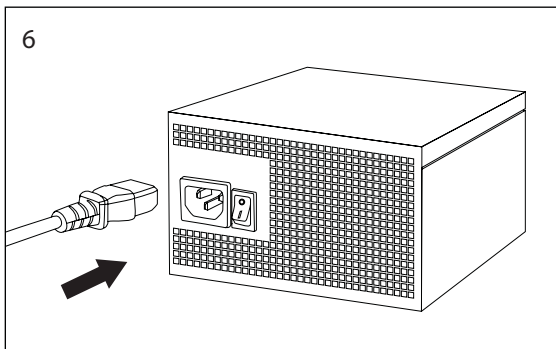
3. Connect the 8-pin or 4-pin connector for the CPU.








4. Connect the cables from cable pack to the socket on the power supply as needed.



5. Connect the AC power cord to the power supply AC inlet and turn the switch to "I" position.



Parts List:

Quantity	Picture	Part Name	Description
1		NeoPower™ supply	Includes 24-pin main connector, 8 pin + 12V connector and a 4 pin + 12V Connector.
2		77 cm Molex connector w/cable	Includes three Molex connectors
2		73 cm Serial ATA connector w/cable	Includes two Serial ATA connectors
1		14 cm Molex to Floppy connectors w/cable	Includes one Molex and two floppy connectors
1		60 cm PCI Express connector w/cable	Includes one PCI Express connector

Antec, Inc.

47900 Fremont Blvd.
Fremont, CA 94538
USA
tel: 510-770-1200
fax: 510-770-1288

Antec Europe B.V.

Stuttgartstraat 12
3047 AS Rotterdam
The Netherlands
tel: + 31 (0) 10 462-2060
fax: + 31 (0) 10 437-1752

Customer Support:

US & Canada

1-800-22ANTEC
customersupport@antec.com

Europe

+ 31 (0) 10 462-2060
europe.techsupport@antec.com

www.antec.com