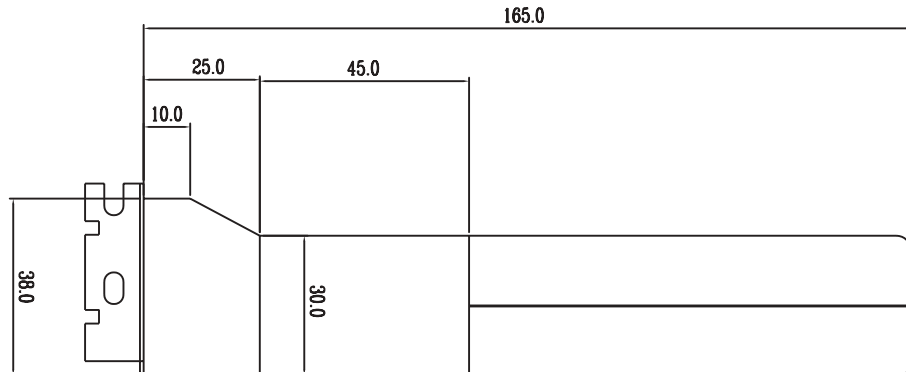
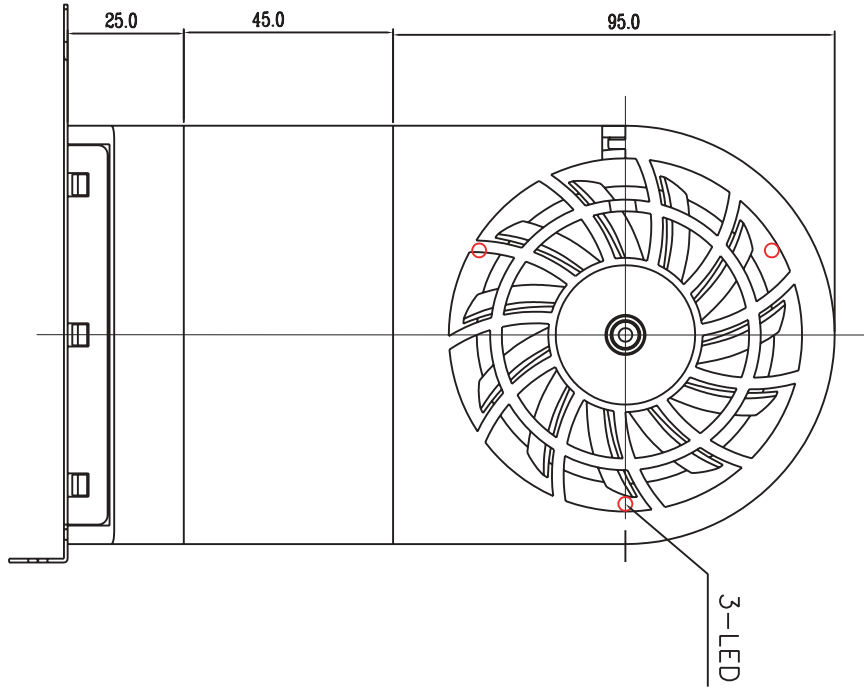
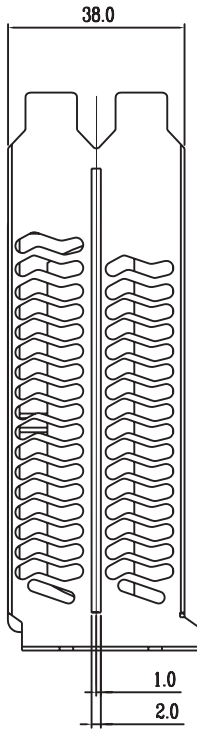


VGA Cooler



Weight	165g		
RPM (Speed)	3500	3000	2500
CFM (Air Flow)	15.9	13.6	11.5
DBA (Acoustic Noise)	37	35.5	29.3
mm H (Static Pressure)	32	2.4	1.7
Current (Max. Input Current with LED)	0.30	0.25	0.20
Power	3.6W	3.0W	2.4W

